

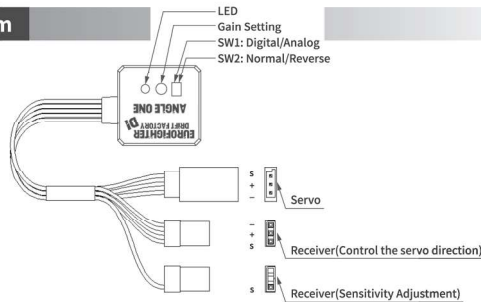
ANGLE ONE USER MANUAL

Specification

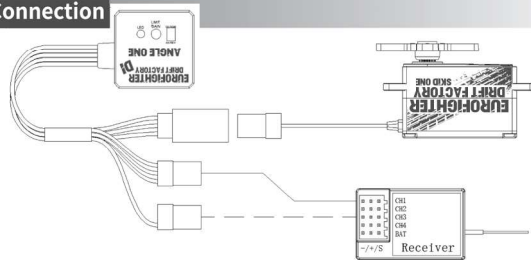
Weight: 12g
 Dimension: 25.7*24.7*9.5mm
 Output Signal: 1520uS (333Hz)
 Control System: PID Control System
 Input & Output Plug: PWM (50-333Hz) / SANWA SHR

Current Drain: 20mA/6V
 Operating temperature: -10°C+50°C
 Operating Voltage: 3.7 ~ 8.4V

Diagram



Connection



LED Status

| LED | Status |
|-----------------|---|
| RED Fast Flash | Gyro Initialization |
| RED Slow Flash | Operation Mode/ Adjust the gain by Gyro potentiometer |
| RED Solid Light | Operation Mode/ Adjust the gain by gain channel |

Operating Instruction

Dial Switch Setting

SW1: Servo output signal setting: Digital/ Analog

Note: Digital signal only for digital servo, if use analog servo, it could damage because of heat.

SW2: Normal/ Reverse setting, change the servo direction.

Signal Input Mode

1) PWM (50-333Hz) suitable for most of remote control system, while do not plug in the gain wire, the gyro's potentiometer can be used for gain adjustment.

2) SHR suitable for Sanwa remote control system

Gain Mode

1) Adjust the gain via gain channel of the transmitter, range from -100% ~ 0 ~ +100%.

(a) 0 means without gain output.

(b) -100% / +100% means maximum gain.

While adjust via gain channel, Gyro potentiometer change to servo angle adjustment, clockwise for maximum.

2) While do not plug in the gain wire, the gyro's potentiometer can be used for gain adjustment.

